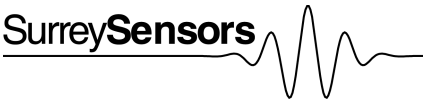
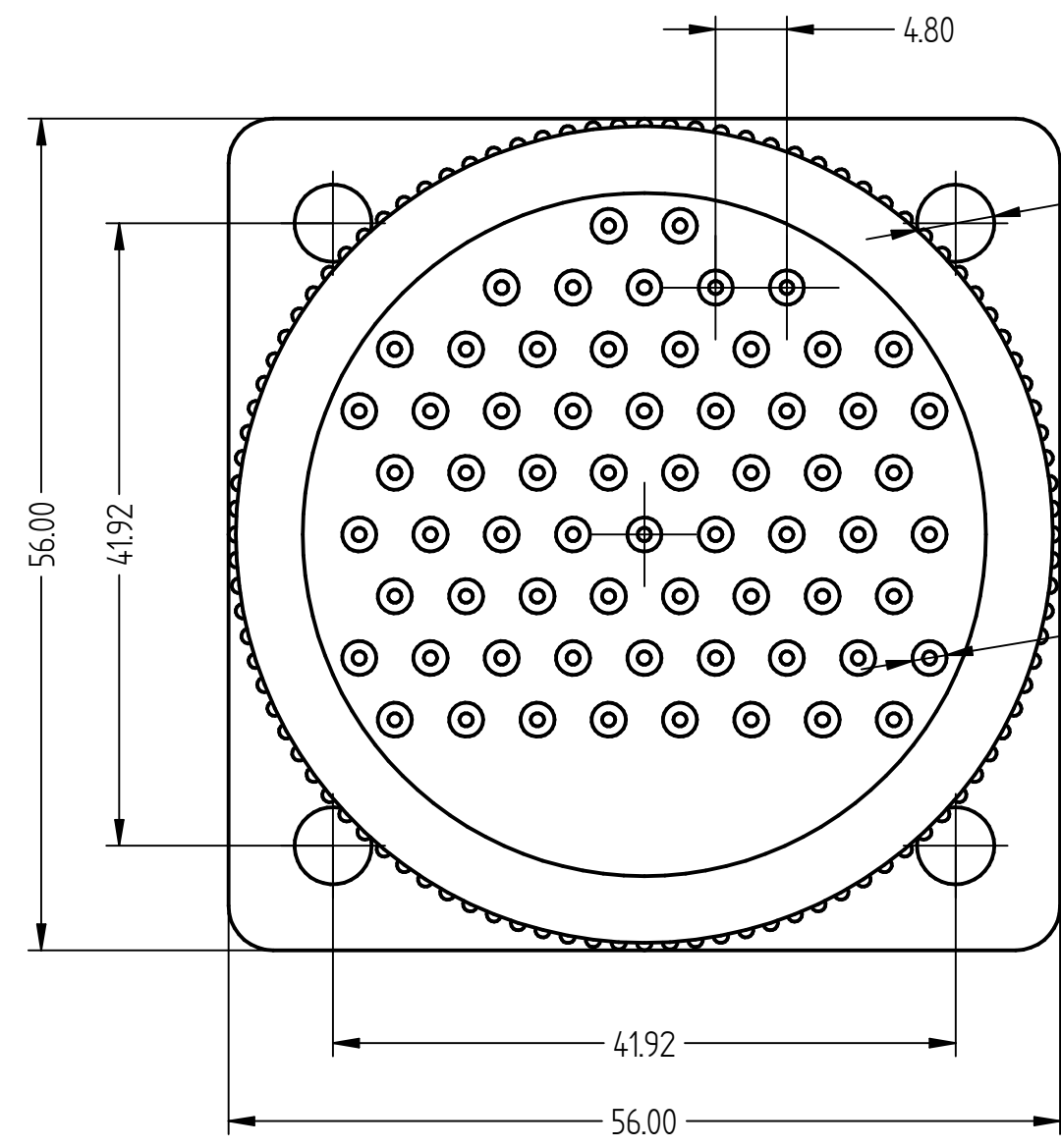
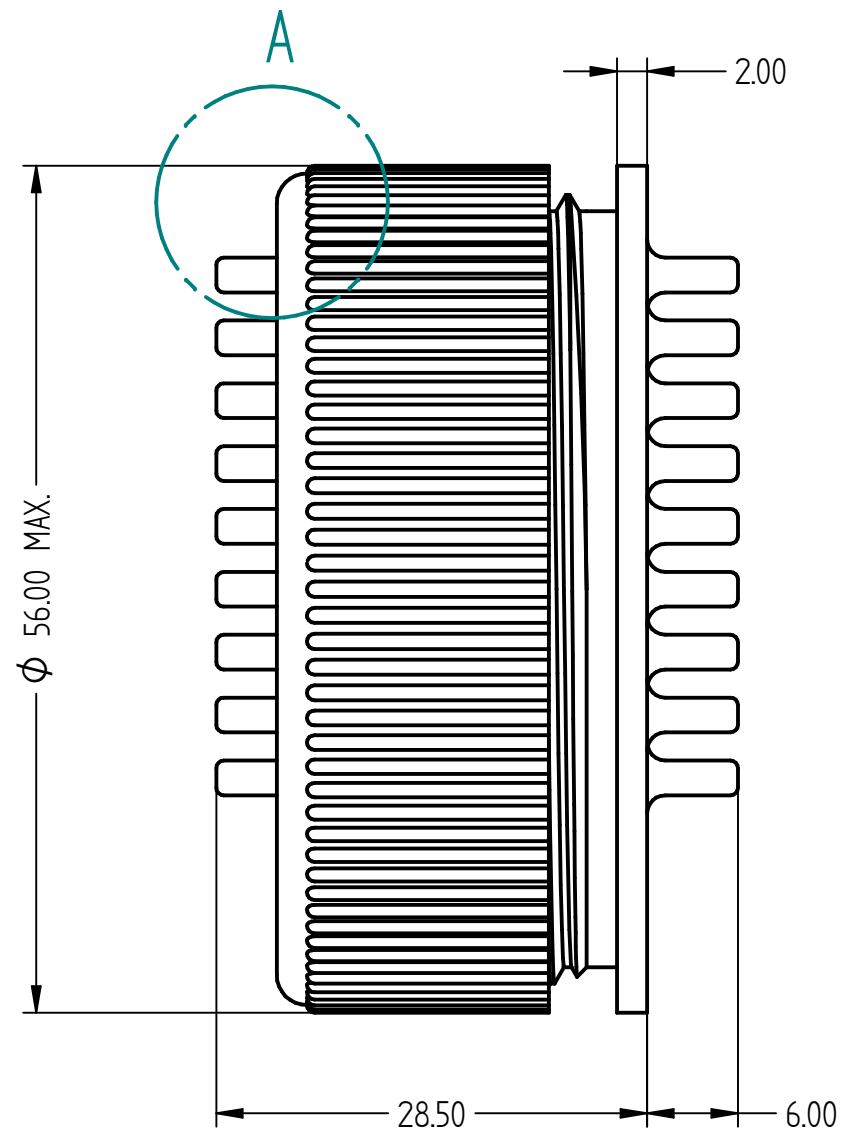
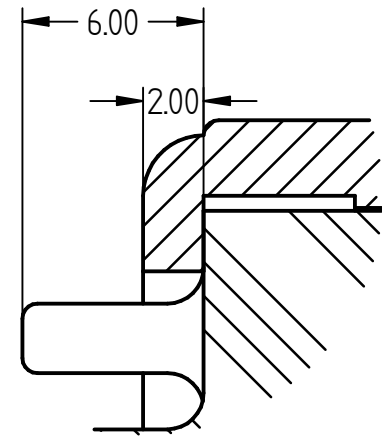


DWG BY	RM00248			
DRAWN	07/01/20			
QTY	1 EA. PER UNIT	TITLE Multichannel Pressure Connector		
MATERIAL	AS SPECIFIED			
APPROVED		SIZE A3	DWG NO QCPC001	REV B
UNLESS OTHERWISE SPECIFIED DIMENSIONS ARE IN MILLIMETERS ANGLES $\pm 0.5^\circ$ DIMENSIONS ± 0.125 mm		FILE NAME: connector assembly.dft		
		SCALE: 2:1	WEIGHT:	SHEET 1 OF 1



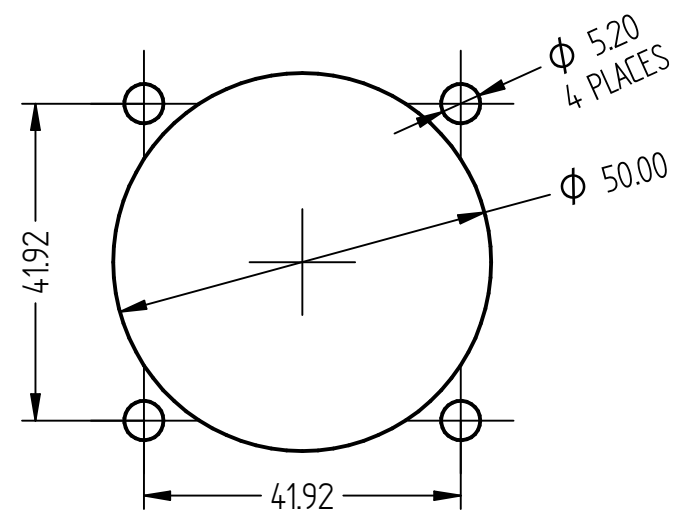
Ø 5.20
4 PLACES

Ø 2.30 O.D., 0.9 mm I.D. x 6 mm LONG BARBS
SUITABLE FOR 1 mm I.D. SILICONE HOSE
66 PLACES




SECTION
DETAIL A

RECOMMENDED PANEL CUTOUT
1:1 SCALE



DWG BY	RM00248
DRAWN	13/08/21
QTY	1 PER UNIT
MATERIAL	VARIOUS
APPROVED	

UNLESS OTHERWISE SPECIFIED
DIMENSIONS ARE IN MILLIMETERS
ANGLES ±0.5°
DIMENSIONS ±0.125 mm

SurreySensors 		
TITLE 66-WAY QUICK CHANGE PRESSURE CONNECTOR		
SIZE A3	DWG NO QCPC-003	REV C
SCALE: 2:1	WEIGHT:	SHEET 2 OF 1