

# MUS-SERIES 8 CHANNEL PRESSURE SCANNER SYSTEM

Ultraminiature, low-cost pressure scanner system. Ideal for use in UAV and motorsport applications or in model integration for wind tunnel use.

- Direct-to-digital pressure transducers each factory-calibrated and locally temperature compensated
- Compact, in-line package: less than 10 mm wide
- 64-channel configuration also available
- Tubulations suitable for 1 mm ID silicone hose



## Specification

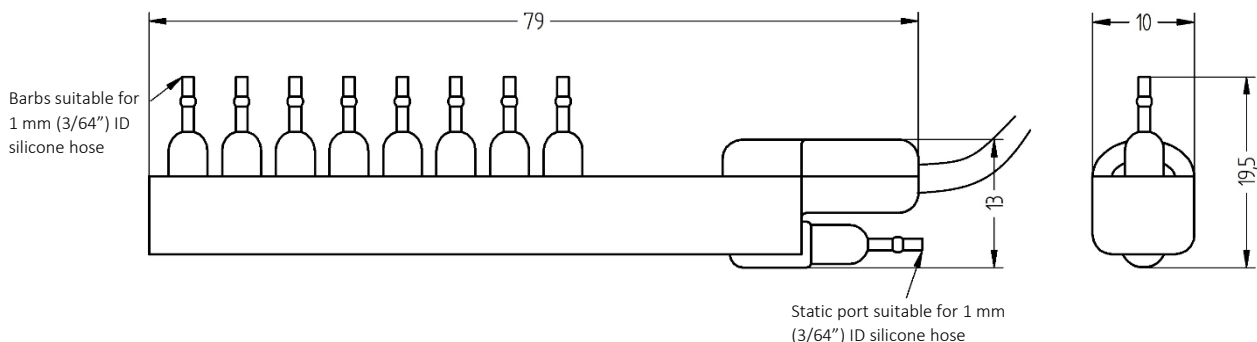
Connection	USB	CAN2B comms module
Pressure range	± 6.9 kPa FS	
Maximum overpressure	34 kPa	
Sensor repeatability <sup>1</sup>	± 0.024 % FS	
Sensor accuracy <sup>2</sup> , inc. calibration	± 0.25 % FS	
Total error band after auto-zero <sup>3</sup>	± 1.25 % FS	
Operational mode	Differential	
Operating temperature range	-40° to +85° C non-condensing	
Compensated temperature range	0° to +50° C non-condensing	
Storage temperature range	-40° to +85° C	
Vibration	Sensors rated to 10 g, 10 Hz to 2 kHz	
Shock	50 g, 6 ms duration	
Maximum relative humidity	95 %	
Communications interface	USB via connector	CAN2B via comms module
Power	95 mW	324 mW (whole system)
Data acquisition rate	160 Hz max. Simultaneous sampling.	
Digital resolution	24-bit	16-bit

<sup>1</sup> Includes errors due to pressure non-linearity, pressure hysteresis and non-repeatability.

<sup>2</sup> Includes errors due to pressure non-linearity, pressure hysteresis, non-repeatability and calibration uncertainty.

<sup>3</sup> Total residual error after auto-zero, excluding residual temperature sensitivity.

## Dimensions



The content of this datasheet is for general information only and is subject to change without notice. It may contain inaccuracies or errors and Surrey Sensors Ltd. expressly exclude liability for any such inaccuracies or errors to the fullest extent permitted by law. Your use of any information is entirely at your own risk, for which Surrey Sensors Ltd. shall not be liable.