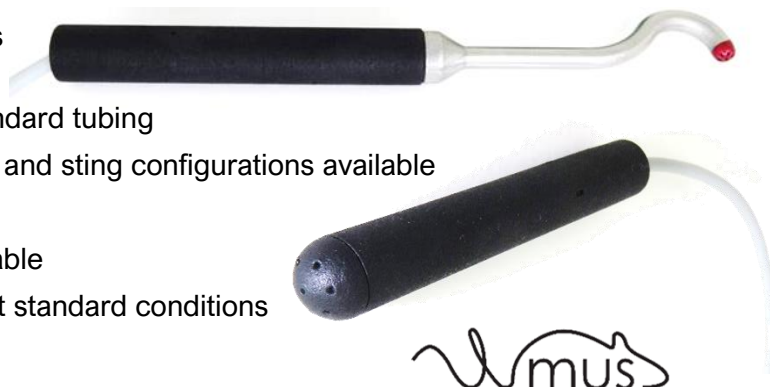


MUS-SERIES MINIATURE DIGITAL 7-HOLE PROBE SYSTEM

SurreySensors

Fully self-contained, ultra-compact digital 7-hole probe system. Ideal for wind tunnel, UAV or motorsport applications.

- Direct-to-digital pressure transducers each factory-calibrated and locally temperature compensated
- Compact, in-line package: as small as 12.7 mm diameter
- Body length easily extended with standard tubing
- 3D-printed stainless steel or nylon tip and sting configurations available
- Stainless steel or nylon enclosure
- Three components of velocity obtainable
- Full-scale flow speed up to 100 m/s at standard conditions



Specification

Pressure range	± 6.9 kPa FS	
Maximum overpressure	34 kPa	
Sensor repeatability ¹	± 0.024 % FS	
Sensor accuracy ² , inc. calibration	± 0.25 % FS	
Total error band after auto-zero ³	± 1.25 % FS	
Operational mode	Differential	
Operating temperature range	-40° to +85° C non-condensing	
Compensated temperature range	0° to +50° C non-condensing	
Storage temperature range	-40° to +85° C	
Vibration	Sensors rated to 10 g, 10 Hz to 2 kHz	
Shock	50 g, 6 ms duration	
Maximum relative humidity	95 %	
Reference pressure	Available either with static pressure ring on sting or barb at the rear	
Material	Nylon or stainless steel available	
Standard tip geometry	Hemispherical (other geometries available)	
Angular measurement range	± 45°	
Weight (approximate)	min. 30g	
Connection	USB	CAN2B comms module
Communications interface	USB via connector	CAN2B via comms module
Power	95 mW	324 mW (whole system)
Data acquisition rate	160 Hz max. Simultaneous sampling.	
Digital resolution	24-bit	16-bit

¹ Includes errors due to pressure non-linearity, pressure hysteresis and non-repeatability.

² Includes errors due to pressure non-linearity, pressure hysteresis, non-repeatability and calibration uncertainty.

³ Total residual error after auto-zero, excluding residual temperature sensitivity.

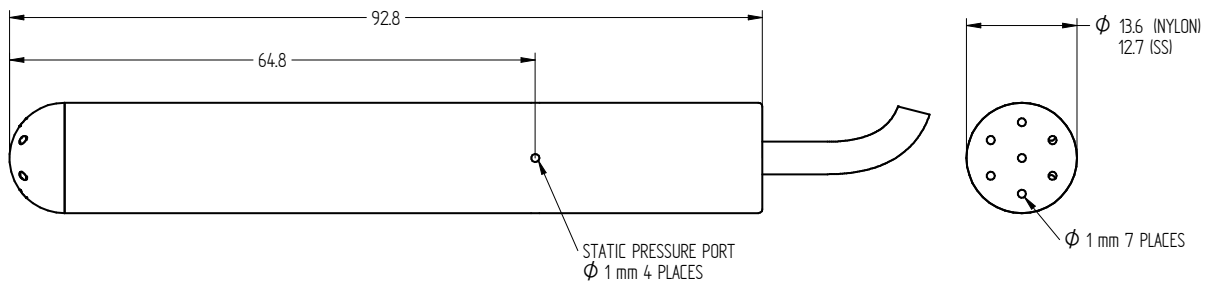
The content of this datasheet is for general information only and is subject to change without notice. It may contain inaccuracies or errors and Surrey Sensors Ltd. expressly exclude liability for any such inaccuracies or errors to the fullest extent permitted by law. Your use of any information is entirely at your own risk, for which Surrey Sensors Ltd. shall not be liable.

MUS-SERIES MINIATURE DIGITAL 7-HOLE PROBE SYSTEM

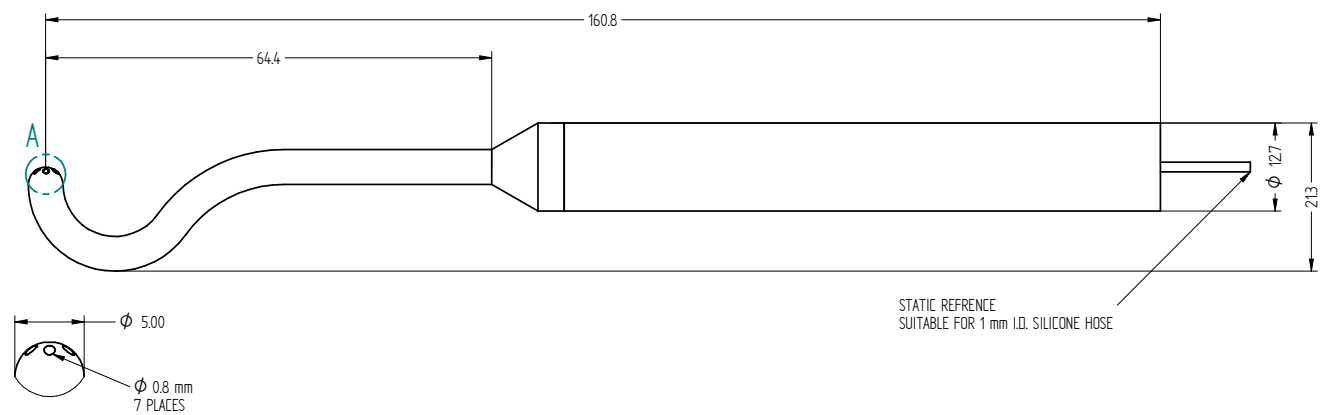


Dimensions

Nylon configuration with built-in hemispherical tip

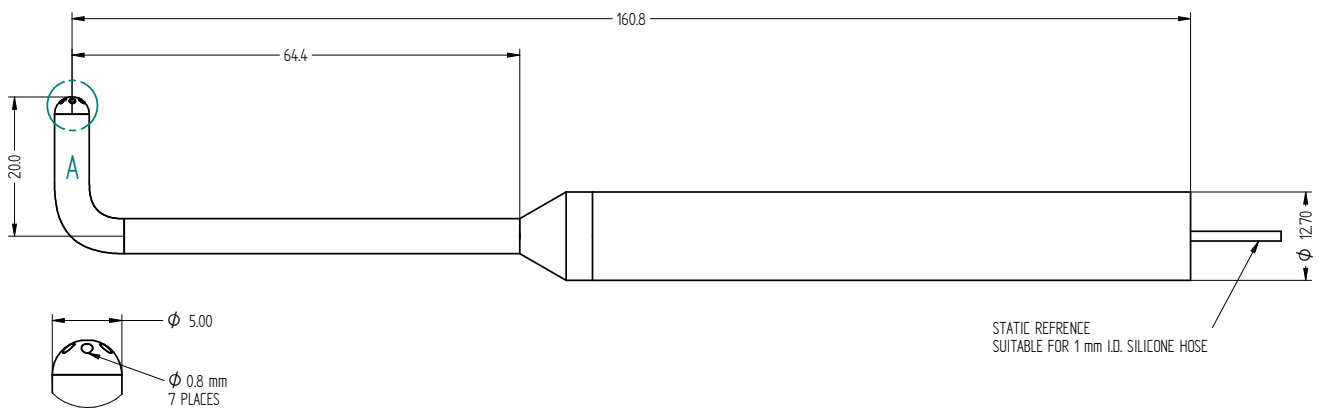


SS configuration with curved sting



DETAIL A

SS configuration with L-shaped sting



DETAIL A

Don't see the geometry you're after? Contact us: we're more than happy to produce custom geometries to suit your needs.

The content of this datasheet is for general information only and is subject to change without notice. It may contain inaccuracies or errors and Surrey Sensors Ltd. expressly exclude liability for any such inaccuracies or errors to the fullest extent permitted by law. Your use of any information is entirely at your own risk, for which Surrey Sensors Ltd. shall not be liable.